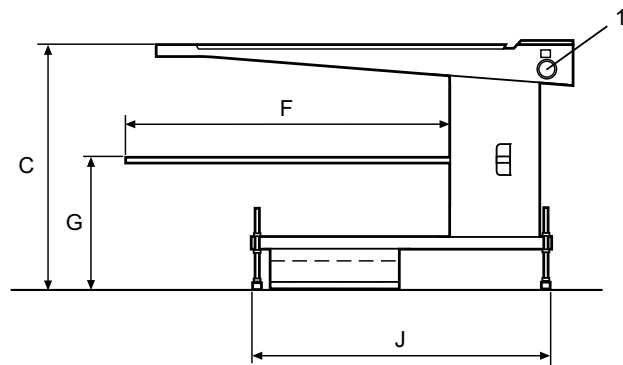
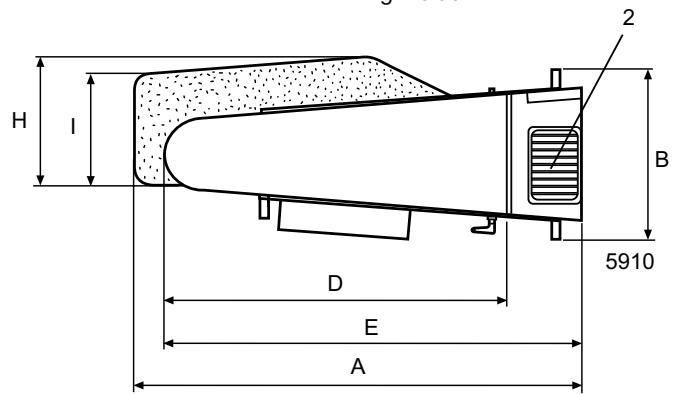




Electrical connections		FIT3A	FIT3B
Voltage			
208-240V 1 AC	kW(A)	1.3(10)	1.6(10)
380-415V 3N AC	kW(A)	1.3(10)	1.6(10)
Shipping data			
Weight	net, kg	56	62
	crated, kg	71	77
Shipping volume	m ³	0.53	0.76
Dimensions in mm			
A Width		1390	1630
B Depth		540	635
C Height		750-930	750-930
D		1100	1300
E		1290	1490
F		1020	1230
G		380-560	380-560
H		400	500
I		350	350
J		1000 (1200)	1000 (1200)
1 Control panel 2 Electrical connection			



Right side



Top view